

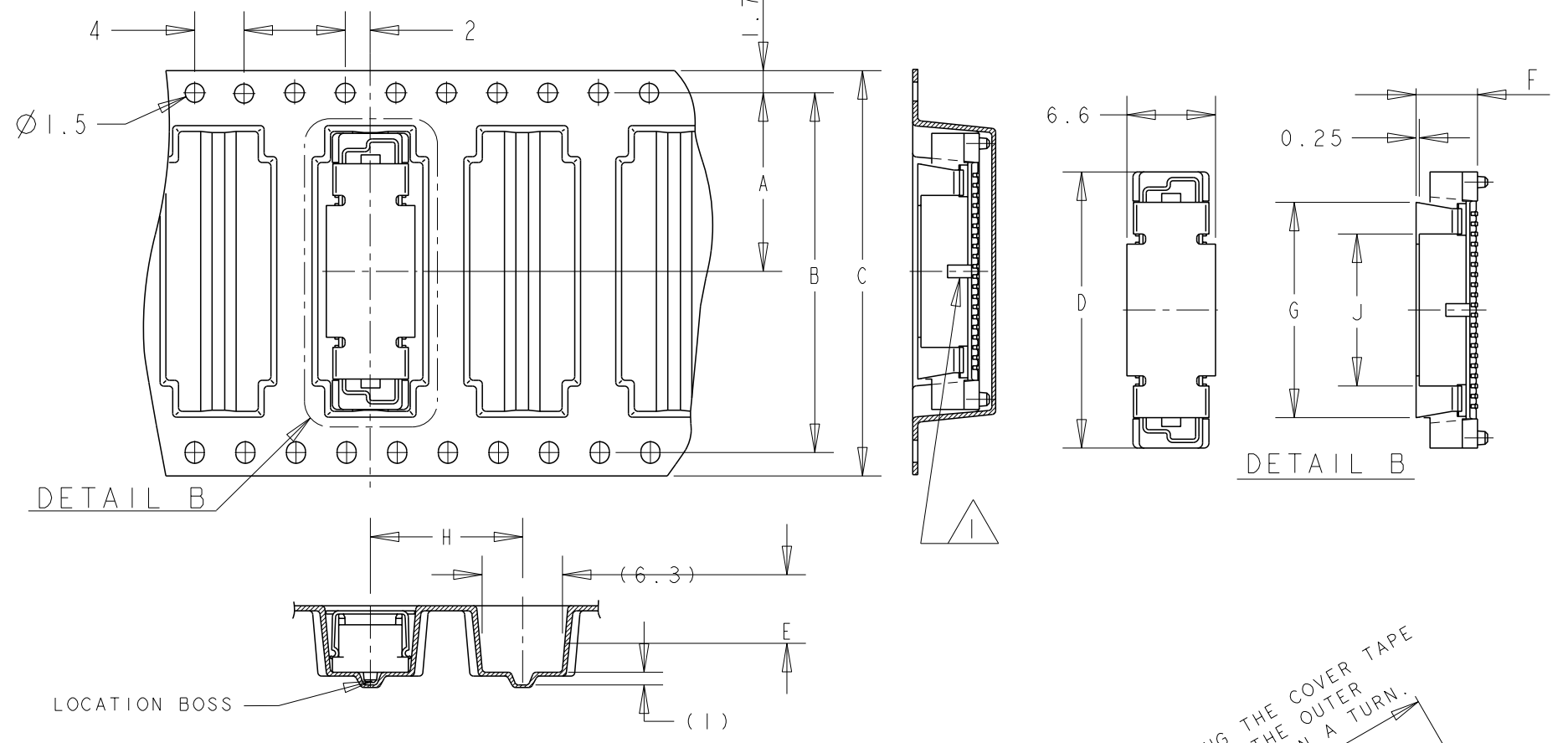
THIS DRAWING IS UNPUBLISHED. RELEASED FOR PUBLICATION 20
 © COPYRIGHT 20 BY - ALL RIGHTS RESERVED.

LOC DY	DIST -	REVISIONS		
P	LTR	DESCRIPTION	DATE	DWN APVD
E4		ADD new p/n with width cavity	15APR15	I.T W.H

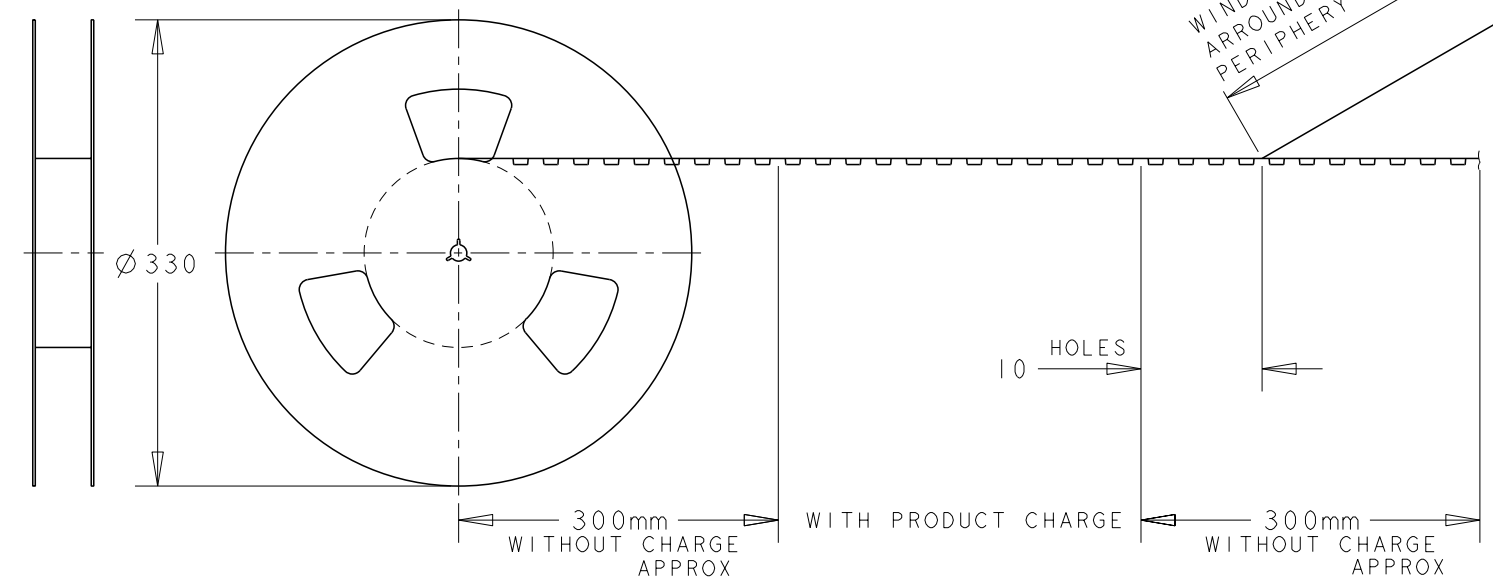
HALOGEN FREE

- Notes:
- 1 CUTOUT FEATURE AVAILABLE ONLY ON 5H ASSY P/N -1 (40P) AND -2 (60P).
 - 2 0.00038 MIN GOLD PLATING (15u INCHES GOLD PLATING)
 - 3 CONNECTOR DIMENSIONS REFERENCED FROM DRAWING WHICH CONN. P/Ns BASED

DIRECTION OFF TOP OF REEL



0.00076 MIN GOLD PLATING (30u INCHES GOLD PLATING)	450					61.8	88	84.4	42.2	140	1-	-6	7-	-6
						53.8				120	1-	-5	7-	-5
						45.8	72	68.4	34.2	100	1-	-4	7-	-4
						37.8	56	52.4	26.2	80	1-	-3	7-	-3
						29.8	44	40.4	20.2	60	1-	-2	7-	-2
	700	7H	12		6.85	7.25	21.8	32	28.4	14.2	40	1-5179030-1	7-5177986-1	
							69.8				160	-8	6-	-8
							61.8	88	84.4	42.2	140	-6	6-	-6
							53.8				120	-5	6-	-5
							45.8	72	68.4	34.2	100	-4	6-	-4
550						37.8	56	52.4	26.2	80	-3	6-	-3	
						29.8	44	40.4	20.2	60	-2	6-	-2	
800	6H	12		5.85	6.25	21.8	32	28.4	14.2	40	5084615-1	6-5177986-1		
						85.8	104	100.4	50.2	200	1-	-0	5-	-0
						69.8				160	-8	5-	-8	
						61.8	88	84.4	42.2	140	-6	5-	-6	
						53.8				120	-5	5-	-5	
650						45.8	72	68.4	34.2	100	-4	5-	-4	
						37.8	56	52.4	26.2	80	-3	5-	-3	
						29.8	44	40.4	20.2	60	-2	5-	-2	
900	5H	12	12	17	4.85	5.25	21.8	32	28.4	14.2	40	5084614-1	5-5177986-1	
						85.8				200	1-	-0	4-	-0
						77.8	104	100.4	50.2	180	-9	3-	-9	
						69.8				160	-8	3-	-8	
						61.8	88	84.4	42.2	140	-6	3-	-6	
						53.8				120	-5	3-	-5	
400						45.8	72	68.4	34.2	100	-4	3-	-4	
						37.8	56	52.4	26.2	80	-3	3-	-3	
						29.8	44	40.4	20.2	60	-2	3-	-2	
600	8H	12		7.85	8.25	21.8	32	28.4	14.2	40	5179031-1	3-5177986-1		
						85.8				200	1-	-0	3-	-0
						77.8	104	100.4	50.2	180	-9	2-	-9	
						69.8				160	-8	2-	-8	
						61.8	88	84.4	42.2	140	-6	2-	-6	
						53.8				120	-5	2-	-5	
450						45.8	72	68.4	34.2	100	-4	2-	-4	
						37.8	56	52.4	26.2	80	-3	2-	-3	
						29.8	44	40.4	20.2	60	-2	2-	-2	
700						21.8	32	28.4	14.2	40	5179030-1	2-5177986-1		
						85.8				200	1-	-0	3-	-0
						77.8	104	100.4	50.2	180	-9	2-	-9	
						69.8				160	-8	2-	-8	
						61.8	88	84.4	42.2	140	-6	2-	-6	
						53.8				120	-5	2-	-5	
500	7H	16		6.85	7.25	21.8	32	28.4	14.2	40	5179030-1	2-5177986-0		
						85.8				200	1-	-0	3-	-0
						77.8	104	100.4	50.2	180	-9	2-	-9	
						69.8				160	-8	2-	-8	
						61.8	88	84.4	42.2	140	-6	2-	-6	
						53.8				120	-5	2-	-5	
550						45.8	72	68.4	34.2	100	-4	2-	-4	
						37.8	56	52.4	26.2	80	-3	2-	-3	
						29.8	44	40.4	20.2	60	-2	2-	-2	
800	6H	12		5.85	6.25	21.8	32	28.4	14.2	40	5179029-1	1-5177986-1		
						85.8				200	1-	-0	3-	-0
						77.8	104	100.4	50.2	180	-9	2-	-9	
						69.8				160	-8	2-	-8	
						61.8	88	84.4	42.2	140	-6	2-	-6	
						53.8				120	-5	2-	-5	
650						45.8	72	68.4	34.2	100	-4	2-	-4	
						37.8	56	52.4	26.2	80	-3	2-	-3	
						29.8	44	40.4	20.2	60	-2	2-	-2	
900	5H	12	12	17	4.85	5.25	21.8	32	28.4	14.2	40	5177984-1	5177986-1	
						85.8				200	1-	-0	4-	-0
						77.8	104	100.4	50.2	180	-9	3-	-9	
						69.8				160	-8	3-	-8	
						61.8	88	84.4	42.2	140	-6	3-	-6	
						53.8				120	-5	3-	-5	



THIS DRAWING IS A CONTROLLED DOCUMENT.		DWN FLORENCE TAN 30AUG04		
DIMENSIONS: mm		CHK ERIC TNG		
TOLERANCES UNLESS OTHERWISE SPECIFIED:		APVD SE LEONG	NAME PLUG ASSEMBLY (0.5 BOSS LENGTH) FOR FH 0.8 B-T-B CONN. ON TAPING	
0 PLC ±-		PRODUCT SPEC 108-5390	SIZE A3	
1 PLC ±0.3		APPLICATION SPEC 114-5254	CAGE CODE 00779	DRAWING NO C-5177986
2 PLC ±0.25		WEIGHT -	RESTRICTED TO -	
3 PLC ±0.2		CUSTOMER DRAWING		
4 PLC ±-		SCALE 2:1		
ANGLES ±3°		SHEET 1 OF 1		
FINISH -		REV E4		